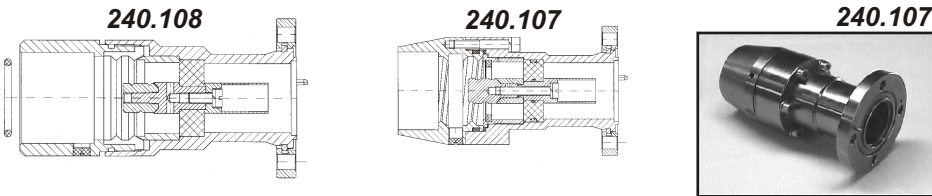


Coaxial Cable 1 5/8"



Foam Dielectric Cable:

Interface	Cable designation	Type	Inner / Outer Contact Attachment	Length (mm)	Dia. (mm)
7/8" EIA Flange*	RFS: LCF 1 5/8" Cu2Y-50	240.111	captivated/self-flare		
7/8" EIA Flange*	Andrew: LDF7-50A	240.112	captivated/self-flare		
1 5/8" EIA Flange*	RFS: LCF 1 5/8" Cu2Y-50	240.114	captivated/self-flare		
1 5/8" EIA Flange*	Andrew: LDF7-50A	240.108	captivated/self-flare	156	65

Air Dielectric Cable:

Interface	Cable designation	Type	Inner / Outer Contact Attachment	Length (mm)	Dia. (mm)
7/8" EIA Flange*	RFS: HF 1 5/8" Cu2Y-50	240.119	captivated / flare		
7/8" EIA Flange*	Andrew: HJ7-50A	240.120	captivated / flare		
1 5/8" EIA Flange*	RFS: HF 1 5/8" Cu2Y-50	240.107	captivated / flare	154	74
1 5/8" EIA Flange*	Andrew: HJ7-50A	240.127	captivated / flare	154	74

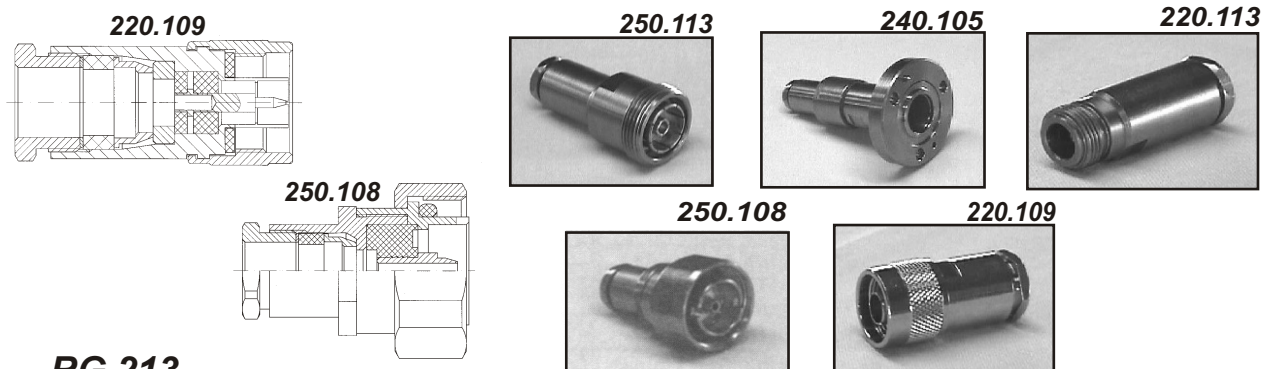
Coaxial Cable 4 1/8"

240.109

Air Dielectric Cable:

Interface	Cable designation	Type	Inner / Outer Contact Attachment	Length (mm)	Dia. (mm)
1 5/8" EIA Flange*	RFS: HF 4 1/8" Cu2Y-50	240.131	captivated / flare	201	150
4 1/2" EIA Flange*	RFS: HF 4 1/8" Cu2Y-50	240.130	captivated / flare	197	160

RG Coaxial Cables



RG 213

Interface	Cable designation	Type	Inner / Outer Contact Attachment	Length (mm)	Dia. (mm)
7/16 DIN Female	RG 213	250.113	solder / flare	58	27
7/16 DIN Male	RG 213	250.108	solder / flare	44	25
7/8" EIA Flange*	RG 213	240.105	solder / flare	81	28
N Female	RG 213	220.113	solder / flare	47	18
N Male	RG 213	220.109	solder / flare	45	18